



Shenzhen Orient Components Co., Ltd

1.Features



2. Description



3. Applications



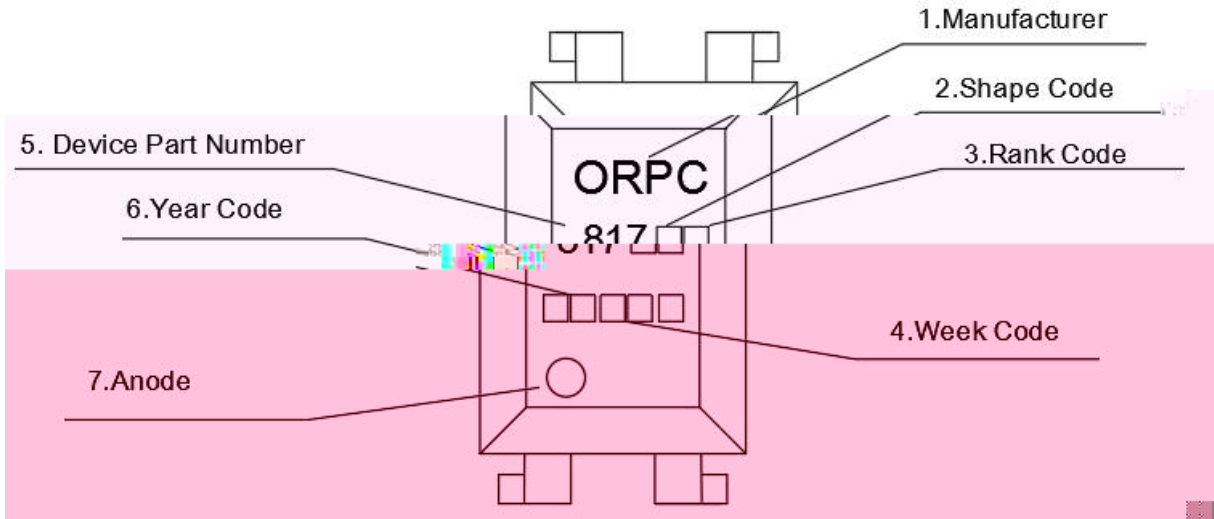
4.Absolute Maximum Ratings at Ta=25



. - ()

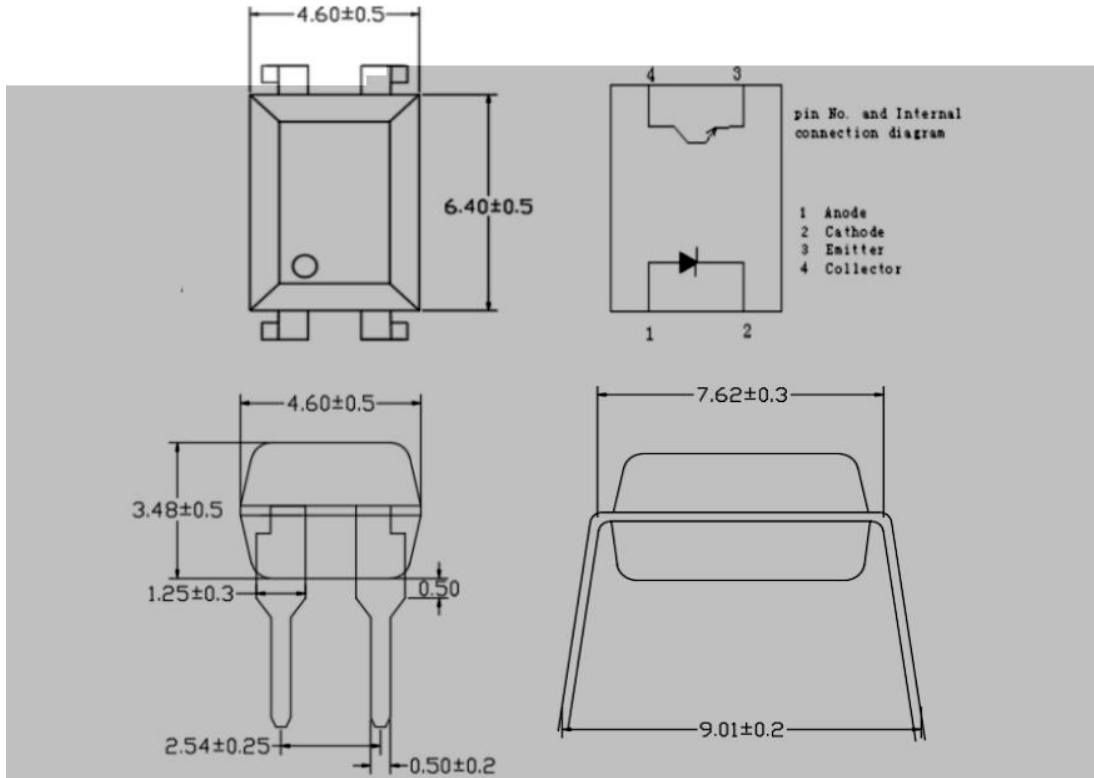
					.	*		

7. Naming Rule



8. Package Dimension (Unit mm)

() -



() -

