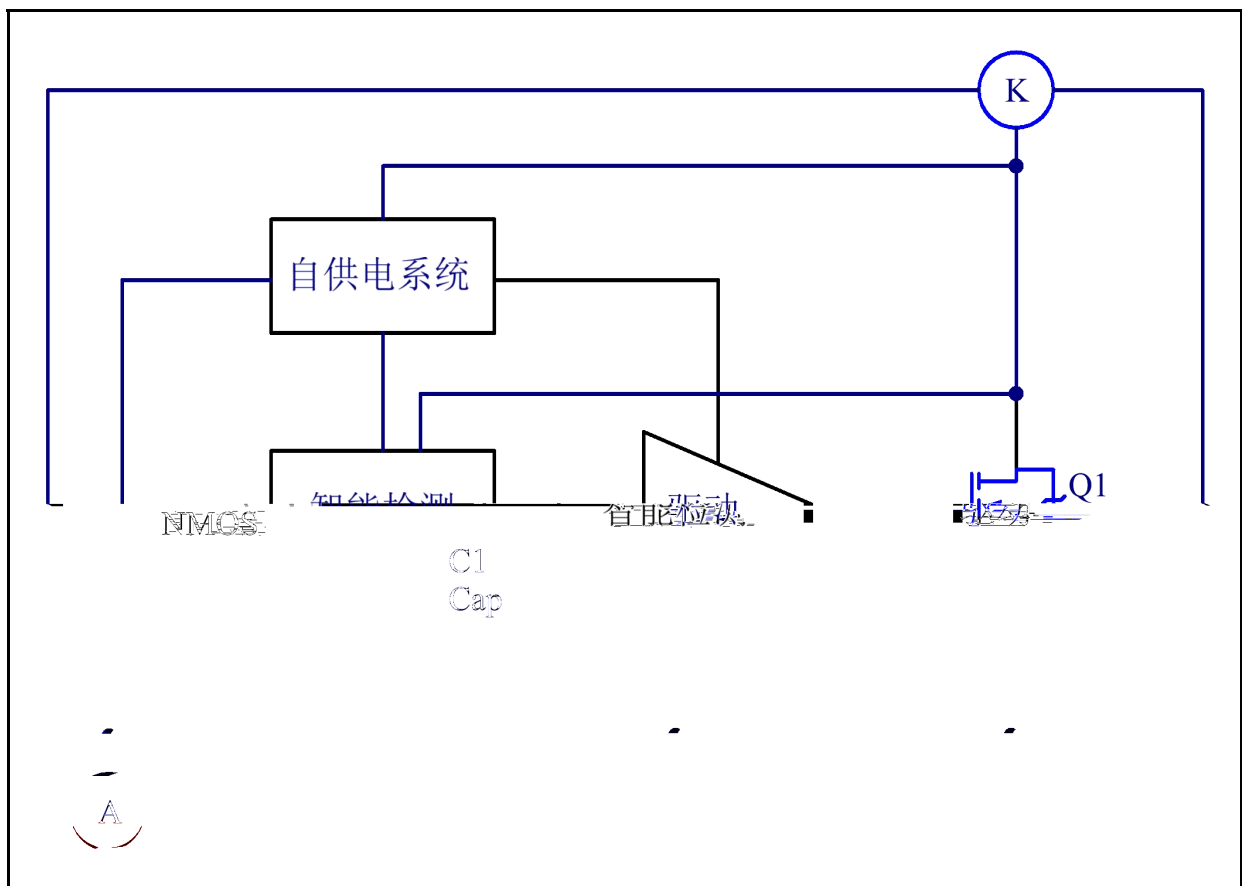




DK5V60R20S	85-265VAC	9V, 2.4A




&						
<b>NMOS</b>						

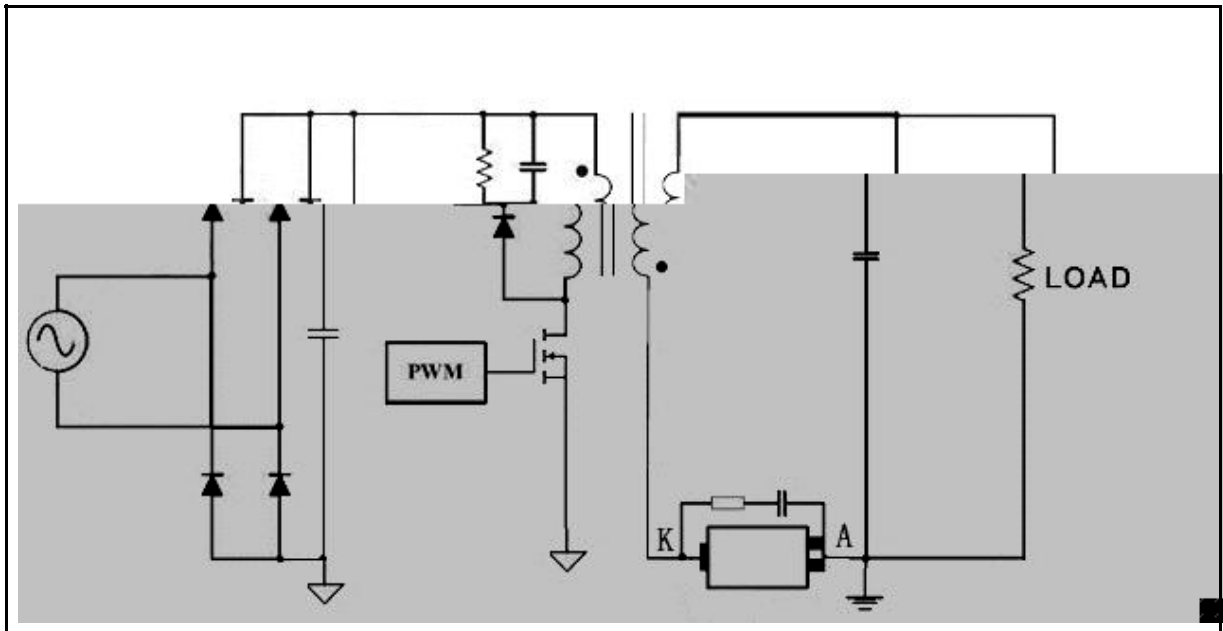
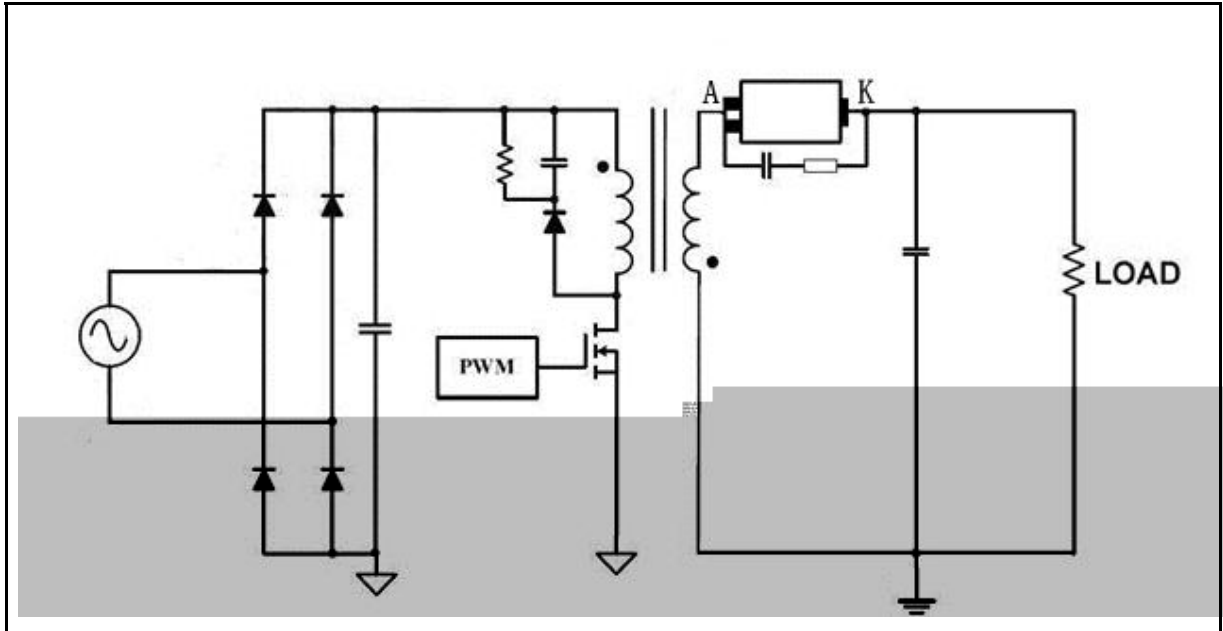
NMOS

RC

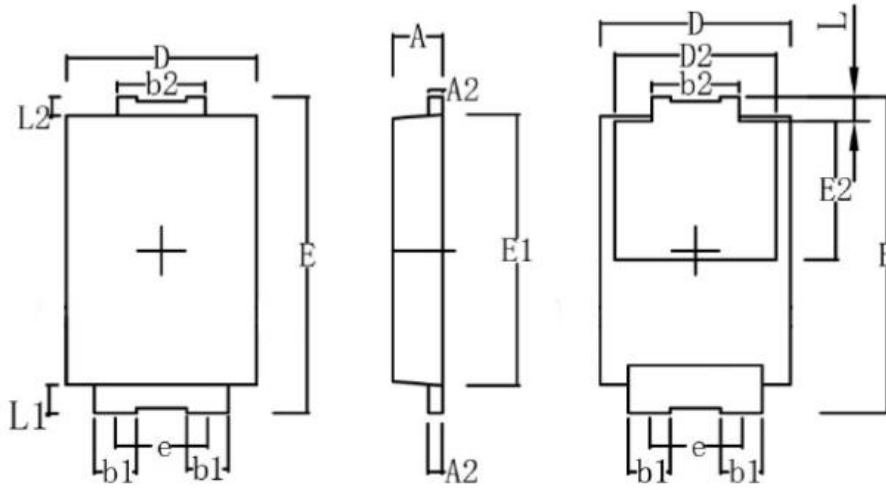
NMOS

●

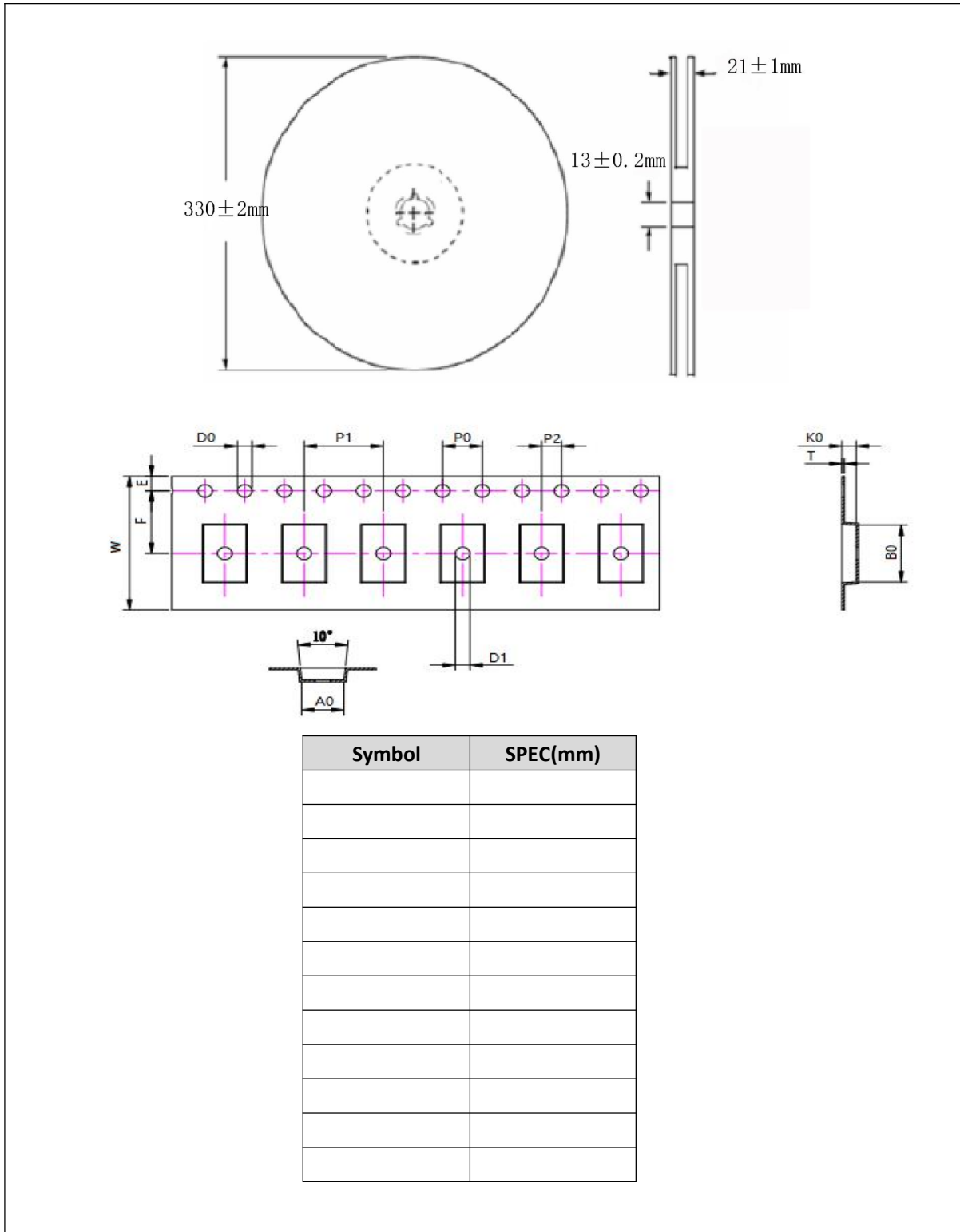
●

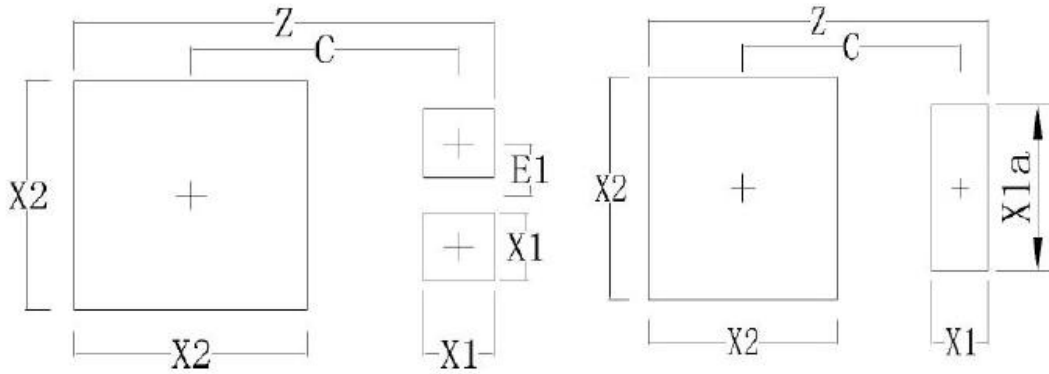


**SM-7**



Symbol	Dimensions In Millimeters	
	Min	Max





Symbol	Dimensions In Millimeters





- 
- 
- 
- 
- 
- 
- 
  
-