



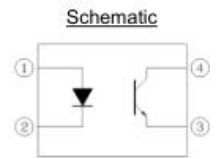
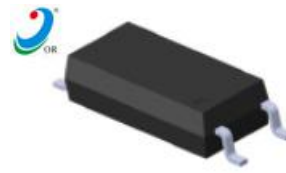
-10

A B A3 F  
: \_\_\_\_\_

H G ,L GB D , ,G ,518172

**1. Features**

- (1) C  
 (C : 50 600% IF = 5 A, CE = 5 )  
 (C : 63 320% IF = 10 A, CE = 5 )
- (2) H - ( = 5,000 )
- (3) H - ( CE = 70 )
- (4) -55 110
- (5) C > 8
- (6) E
- (7) L - : 2.3 : -10



**Pin Configuration**  
 1. Anode  
 2. Cathode  
 3. Emitter  
 4. Collector

**2. Description**

-10

4-

**3.Applications**

- (1)
- (2)
- (3)
- (4) H
- (5)

**4. Absolute Maximum Ratings (Ta=25 )**

		60	
		125	
		6	
		100	
		0	
		7	
		50	
		150	
		250	
*1		5000	
		-55 + 110	
		-55 + 125	
*2		260	

\*1 1 , . . . 40 60% . . . , 1, 2 , 3, 4 .

\* 2 10

5. Electrical Optical Characteristics at Ta=25°C

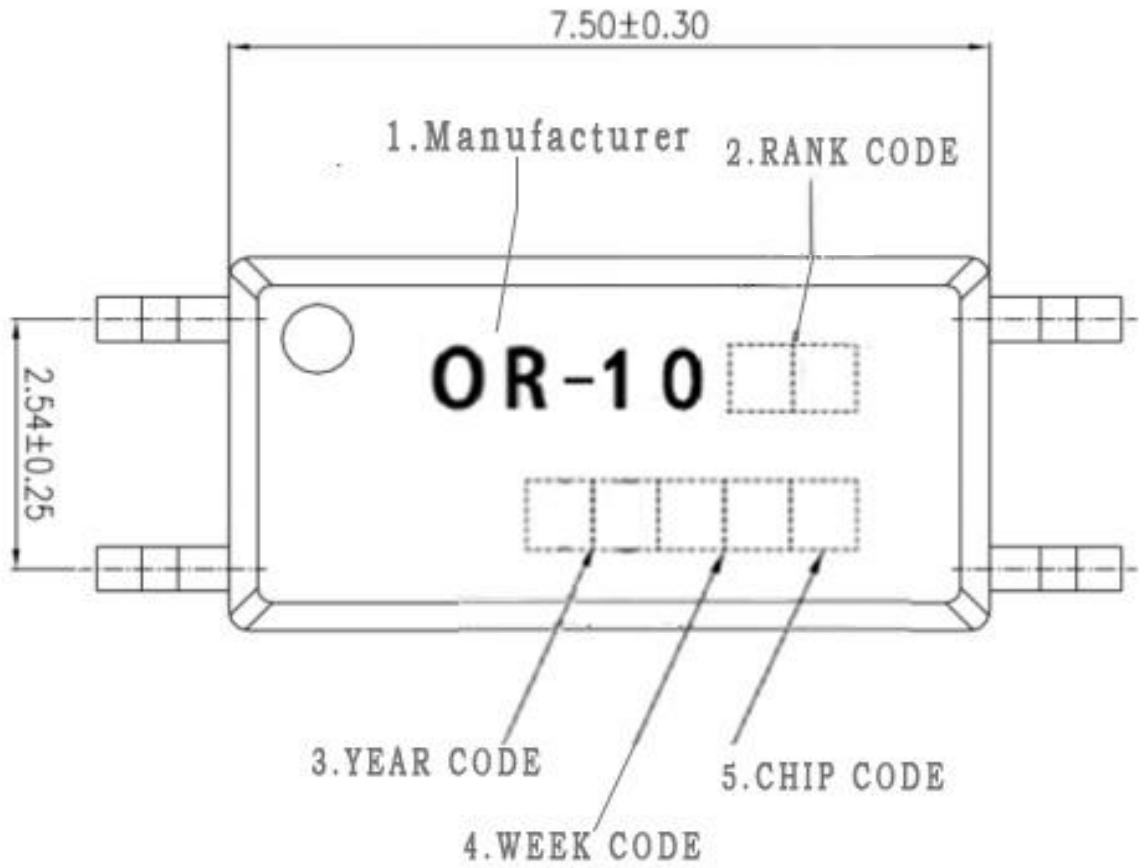
	F C		50	---	1.25	1.6	
			4	---	---	10	
	C		0, 1	---	50	---	
	C C		20 0	---	10	100	
	C E		1 0	0	---	---	
	E C		0.1 0	7	---	---	
	*1 C		5	50	---	600	%
	C C		5	2.5	---	30	
	C E	( )	10 1	---	---	0.3	
	I I		500 40 60% . . .	10 <sup>12</sup>	---	---	
	F C		0, 1	---	0.3	---	
			5 2	---	3	1	
	D		100	---	4.7	1	

\*1 C C = I<sub>C</sub> / I<sub>F</sub> 100%, C : 3%.

6. Rank Table of Current Transfer Ratio

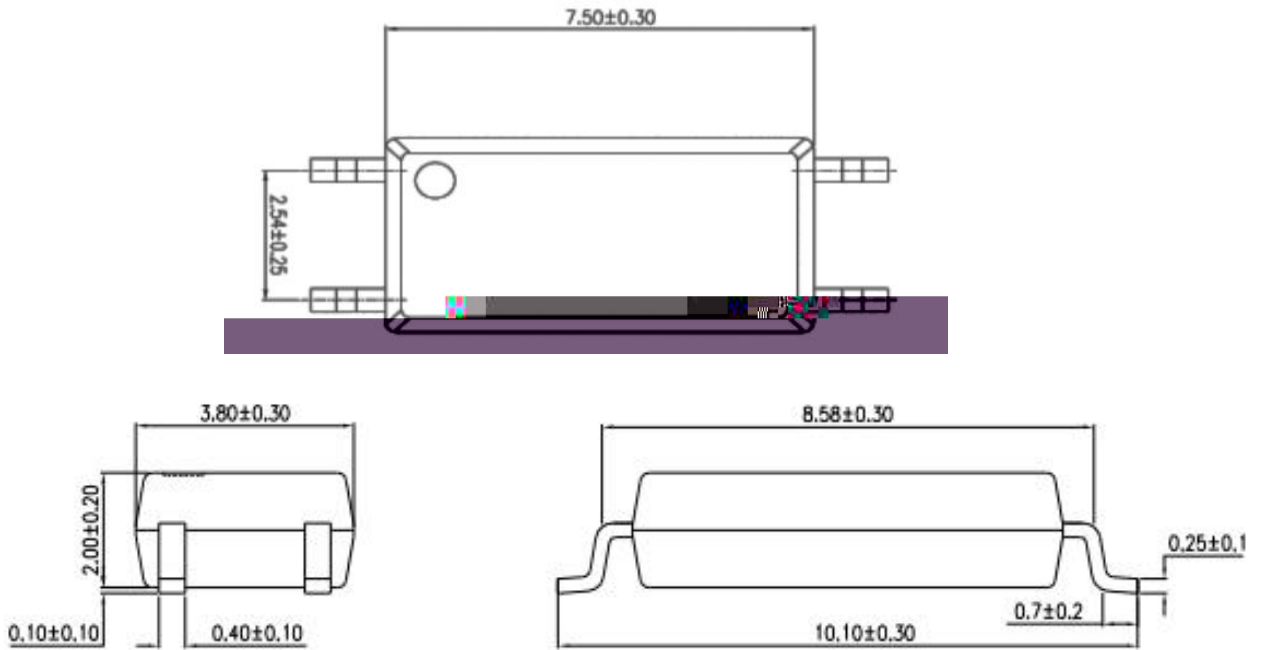
C				C
-1000	50		600	
-1001	100		160	
-1004	100		200	
-1005	50		150	
-1006	100		300	
-1007	80		160	
-1008	000	A	260	□□□
-1009	200	0□	400	
-1010	150		300	
-1019	250		500	
-1020	300		450	(,
-1002	22			

### 7.Naming Rule

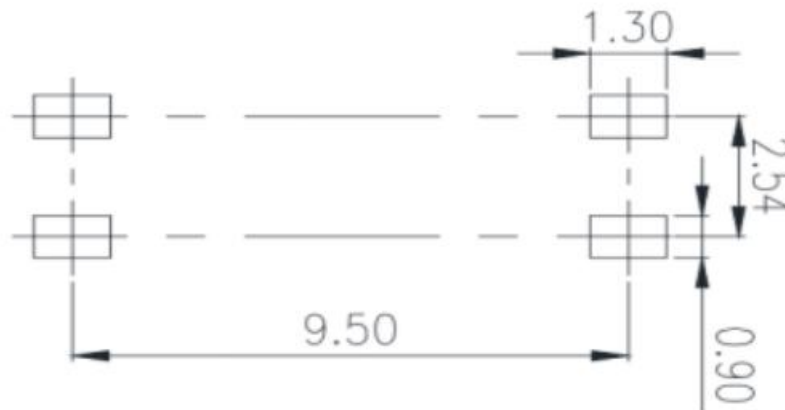


- (1) L . C . , L .
- (2)  C .
- (3)  .
- (4)  .
- (5)  C C
- (6) -10 D
- (7) :

### 8. Package Dimension

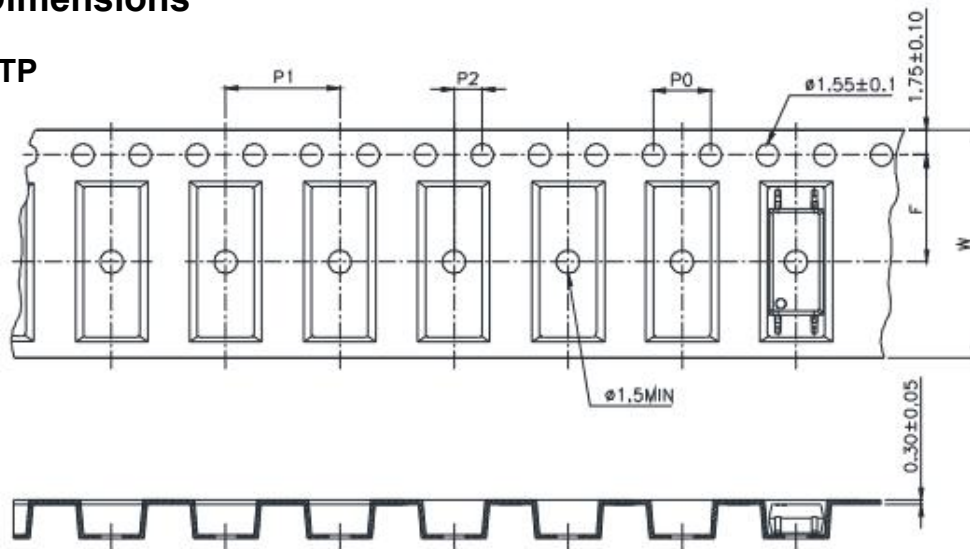


### 9. RECOMMENDED FOOT PRINT PATTERNS (MOUNT PAD)

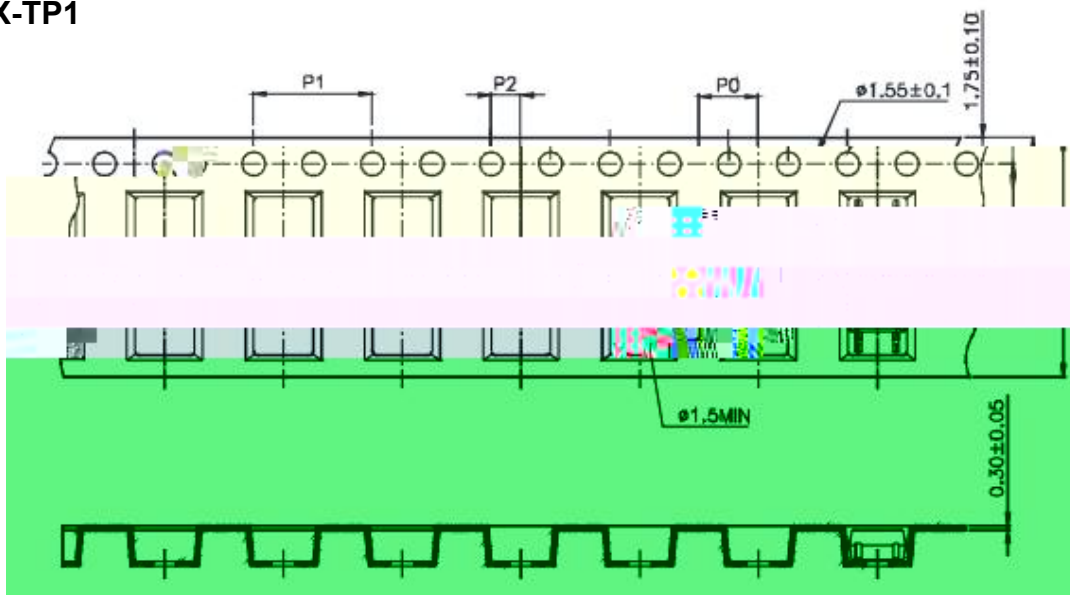


### Taping Dimensions

(1) OR-10XX-TP



(2) OR-10XX-TP1



D		D ( )
		16 0.3 (0.63)
	0	4 0.3 (0.15)
D	F	7.5 0.1 (0.295)
	2	2 0.1 (0.079)
D	1	8 0.1 (0.315)

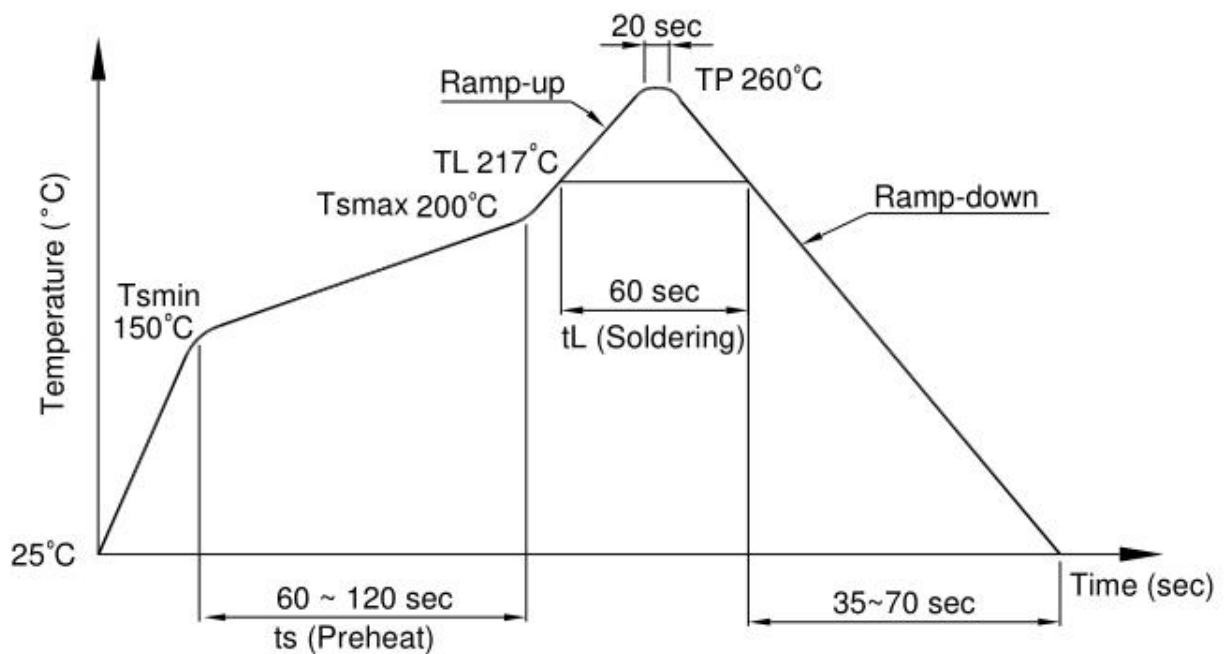
	-10 ( / 1)
( )	3000

### 11. Temperature Profile Of Soldering

(1).IR Reflow soldering (JEDEC-STD-020C compliant)

. D

	C
- ( )	150 C
- ( )	200 C
- ( ) ( )	90 30
- ( L )	217 C
- ( L )	60
( )	260 C
-	3 C /
-	3 6 C /







## 12.Characteristics Curves

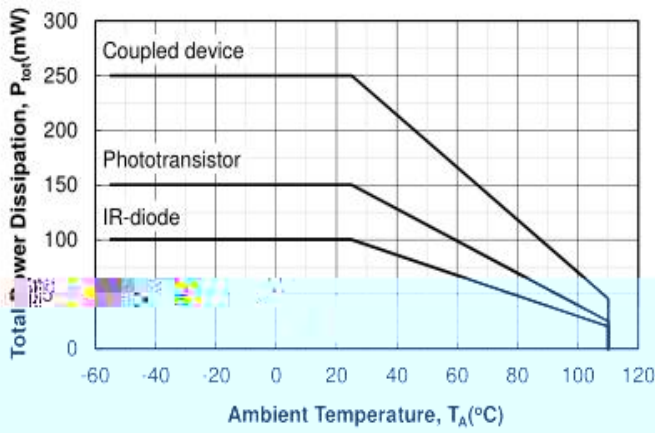


Figure 1.  $P_{tot}$  vs.  $T_A$

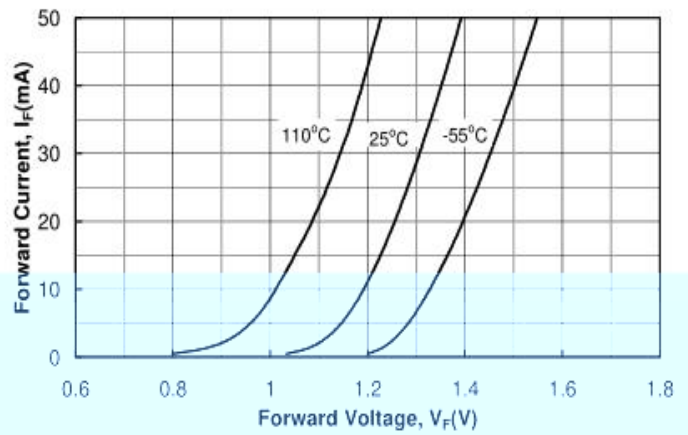
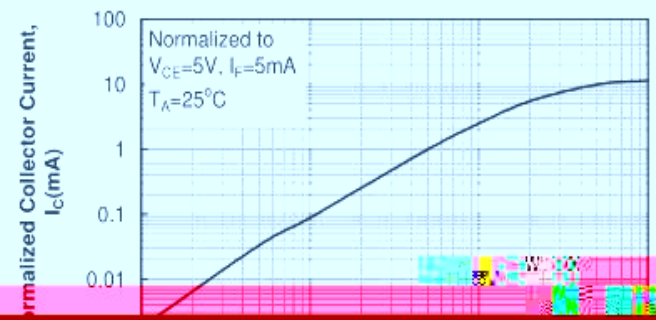
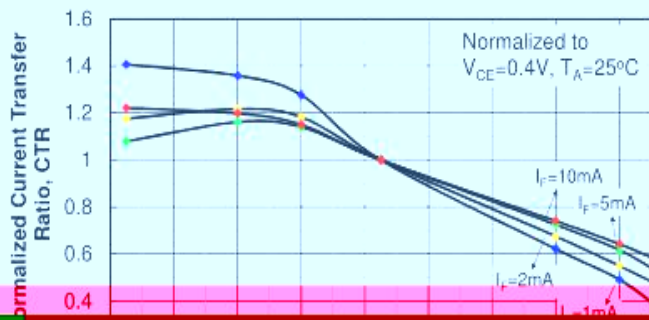


Figure 4.  $I_F$  vs.  $V_F$



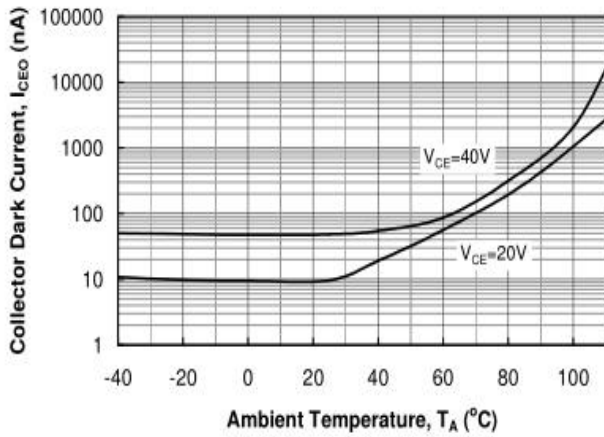


Figure 7.  $I_{CEO}$  vs.  $T_A$

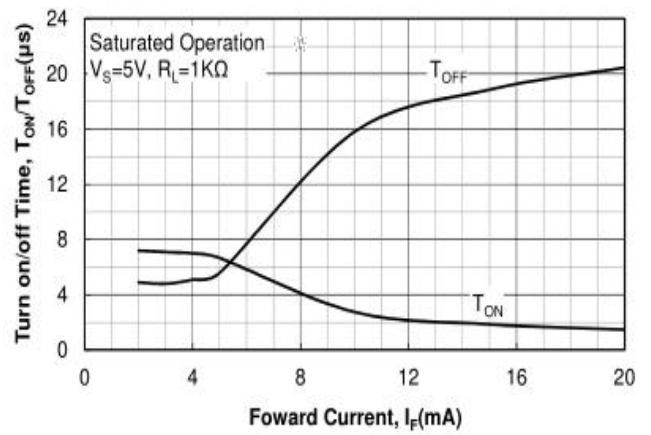


Figure 10.  $T_{ON} / T_{OFF}$  vs.  $I_F$

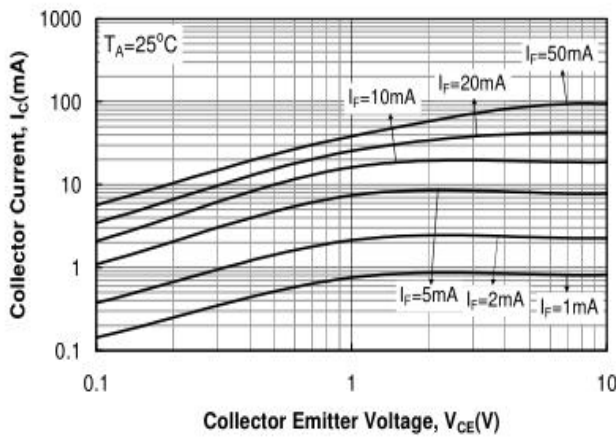


Figure 8.  $I_C$  vs.  $V_{CE}$

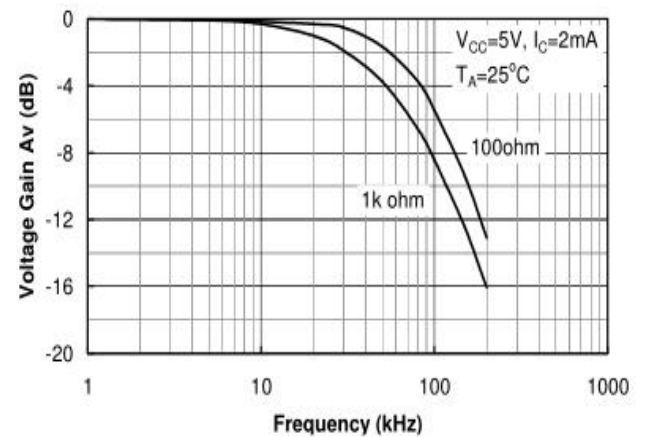


Figure 11. Frequency Response

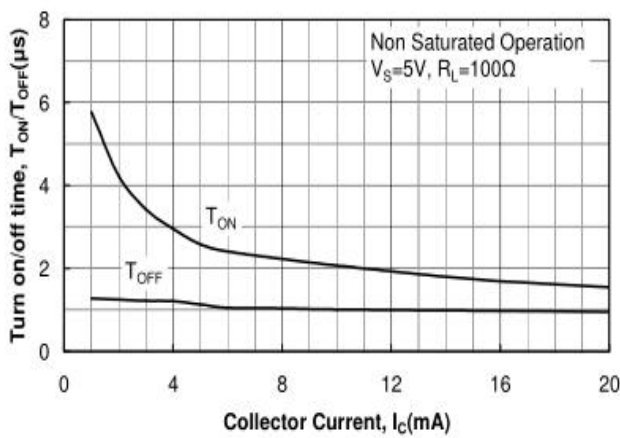


Figure 9.  $T_{ON} / T_{OFF}$  vs.  $I_C$



► Notes:

IE

IE

.

,

IE

|

.

,

.