

## IGBT Modules

VCES

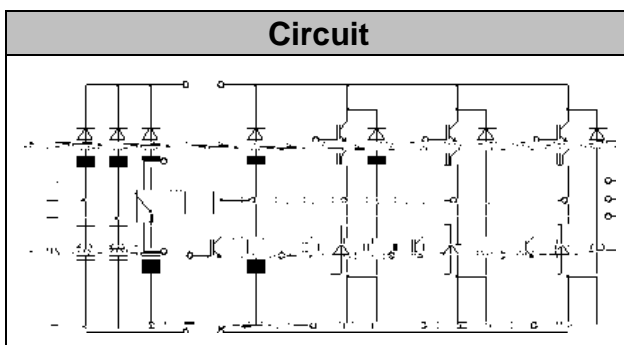
IC

### Applications

- 
- 
- 

### Features

- 
- 
- 
- 
- 
- 



### IGBT- inverter

#### Absolute Maximum Ratings

| Parameter | Symbol | Conditions | Value | Unit |
|-----------|--------|------------|-------|------|
|           |        |            |       |      |
|           |        |            |       |      |
|           |        |            |       |      |
|           |        |            |       |      |
|           |        |            |       |      |



IGBT- inverter  
Characteristic values

| Parameter | Symbol | Conditions | Value |      |      | Unit |
|-----------|--------|------------|-------|------|------|------|
|           |        |            | Min.  | Typ. | Max. |      |
|           |        |            |       |      |      |      |
|           |        |            |       |      |      |      |
|           |        |            |       |      |      |      |
|           |        |            |       |      |      |      |
|           |        |            |       |      |      |      |
|           |        |            |       |      |      |      |
|           |        |            |       |      |      |      |
|           |        |            |       |      |      |      |
|           |        |            |       |      |      |      |
|           |        |            |       |      |      |      |
|           |        |            |       |      |      |      |
|           |        |            |       |      |      |      |
|           |        |            |       |      |      |      |
|           |        |            |       |      |      |      |
|           |        |            |       |      |      |      |
|           |        |            |       |      |      |      |
|           |        |            |       |      |      |      |
|           |        |            |       |      |      |      |
|           |        |            |       |      |      |      |
|           |        |            |       |      |      |      |
|           |        |            |       |      |      |      |
|           |        |            |       |      |      |      |
|           |        |            |       |      |      |      |
|           |        |            |       |      |      |      |
|           |        |            |       |      |      |      |
|           |        |            |       |      |      |      |
|           |        |            |       |      |      |      |
|           |        |            |       |      |      |      |
|           |        |            |       |      |      |      |
|           |        |            |       |      |      |      |



## Diode-inverter Absolute Maximum Ratings

| Parameter | Symbol | Conditions | Value | Unit |
|-----------|--------|------------|-------|------|
|           |        |            |       |      |
|           |        |            |       |      |
|           |        |            |       |      |
|           |        |            |       |      |

## Characteristic values

| Parameter | Symbol | Conditions | Value |      |      | Unit |
|-----------|--------|------------|-------|------|------|------|
|           |        |            | Min.  | Typ. | Max. |      |
|           |        |            |       |      |      |      |
|           |        |            |       |      |      |      |
|           |        |            |       |      |      |      |
|           |        |            |       |      |      |      |
|           |        |            |       |      |      |      |
|           |        |            |       |      |      |      |
|           |        |            |       |      |      |      |
|           |        |            |       |      |      |      |



**IGBT-brake-chopper**  
**Absolute Maximum Ratings**

| Parameter | Symbol | Conditions | Value | Unit |
|-----------|--------|------------|-------|------|
|           |        |            |       |      |
|           |        |            |       |      |
|           |        |            |       |      |
|           |        |            |       |      |
|           |        |            |       |      |

**Characteristic values**

| Parameter | Symbol | Conditions | Value |      |      | Unit |
|-----------|--------|------------|-------|------|------|------|
|           |        |            | Min.  | Typ. | Max. |      |
|           |        |            |       |      |      |      |
|           |        |            |       |      |      |      |
|           |        |            |       |      |      |      |
|           |        |            |       |      |      |      |
|           |        |            |       |      |      |      |
|           |        |            |       |      |      |      |
|           |        |            |       |      |      |      |
|           |        |            |       |      |      |      |
|           |        |            |       |      |      |      |
|           |        |            |       |      |      |      |
|           |        |            |       |      |      |      |
|           |        |            |       |      |      |      |
|           |        |            |       |      |      |      |
|           |        |            |       |      |      |      |
|           |        |            |       |      |      |      |
|           |        |            |       |      |      |      |
|           |        |            |       |      |      |      |
|           |        |            |       |      |      |      |

\_\_\_\_\_

|  |
|--|
|  |
|  |
|  |
|  |
|  |
|  |
|  |
|  |

|             |
|-------------|
| <b>Unit</b> |
|             |
|             |
|             |





# O I 37R34R4

RoHS  
COMPLIANT

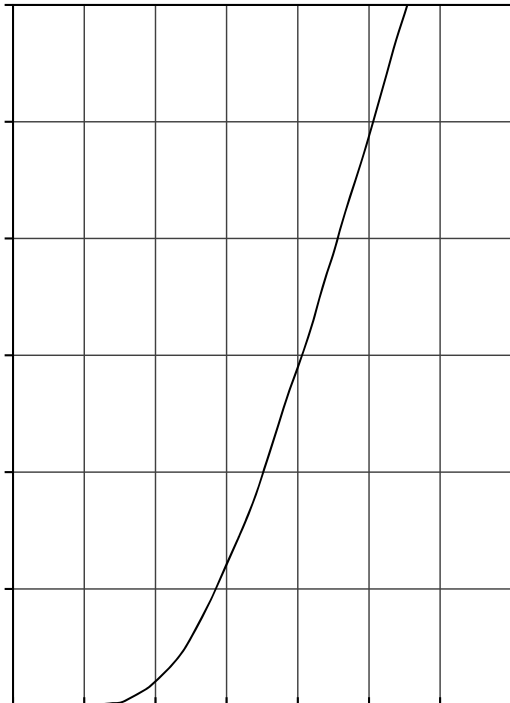
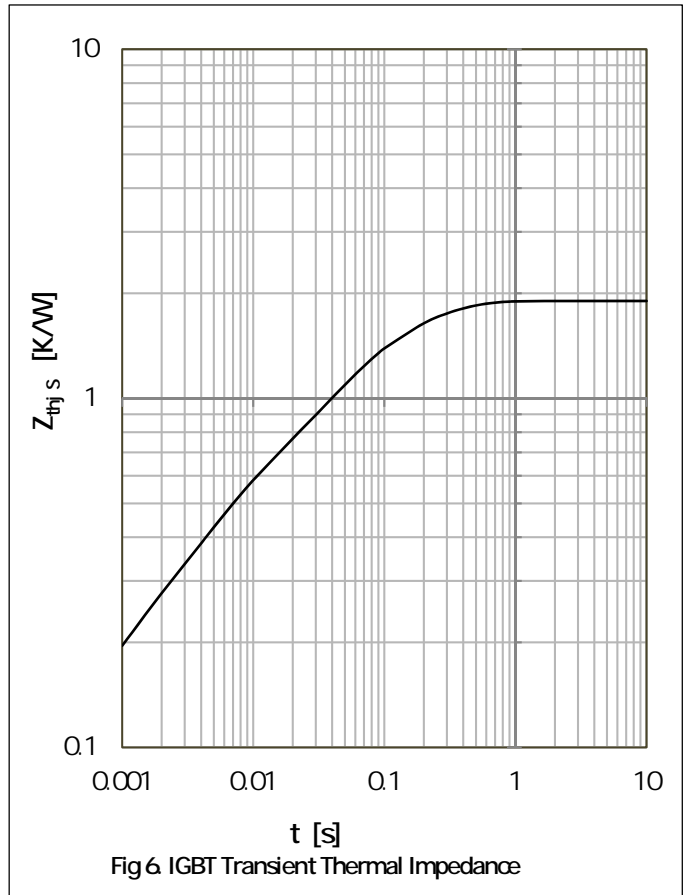
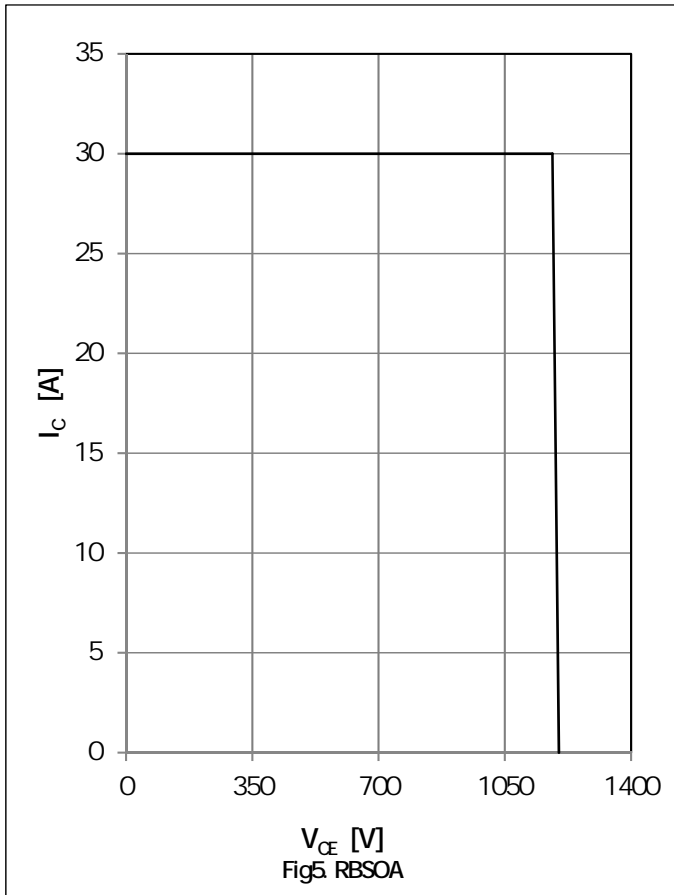
## Module Characteristics

| Parameter | Symbol | Conditions | Value |      |      | Unit |
|-----------|--------|------------|-------|------|------|------|
|           |        |            | Min.  | Typ. | Max. |      |
|           |        |            |       |      |      |      |
|           |        |            |       |      |      |      |
|           |        |            |       |      |      |      |
|           |        |            |       |      |      |      |
|           |        |            |       |      |      |      |
|           |        |            |       |      |      |      |
|           |        |            |       |      |      |      |
|           |        |            |       |      |      |      |
|           |        |            |       |      |      |      |
|           |        |            |       |      |      |      |
|           |        |            |       |      |      |      |
|           |        |            |       |      |      |      |
|           |        |            |       |      |      |      |
|           |        |            |       |      |      |      |
|           |        |            |       |      |      |      |
|           |        |            |       |      |      |      |
|           |        |            |       |      |      |      |
|           |        |            |       |      |      |      |
|           |        |            |       |      |      |      |
|           |        |            |       |      |      |      |
|           |        |            |       |      |      |      |
|           |        |            |       |      |      |      |



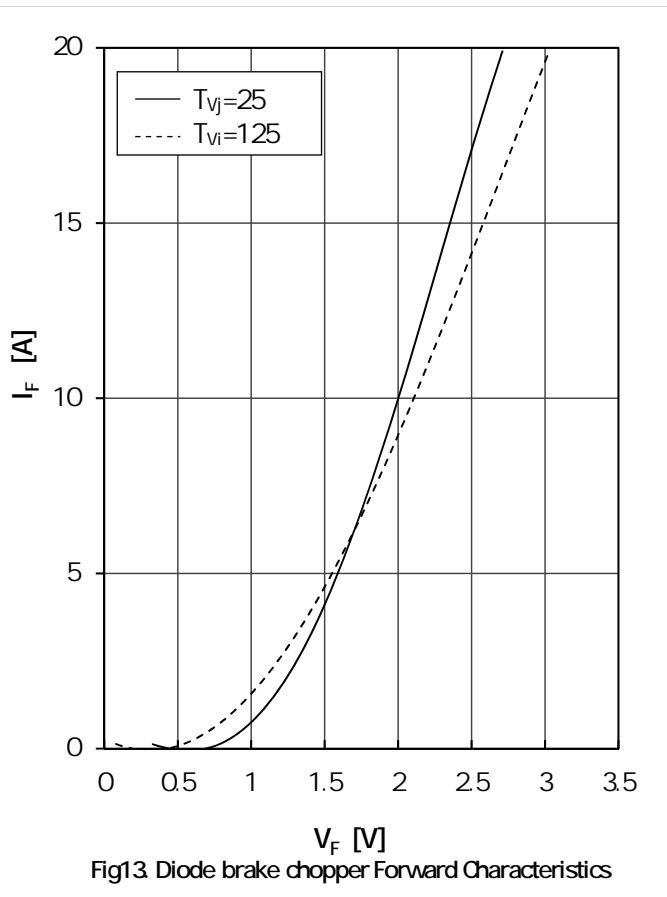
|  |  |  |  |  |  |  |
|--|--|--|--|--|--|--|
|  |  |  |  |  |  |  |
|  |  |  |  |  |  |  |
|  |  |  |  |  |  |  |
|  |  |  |  |  |  |  |
|  |  |  |  |  |  |  |
|  |  |  |  |  |  |  |



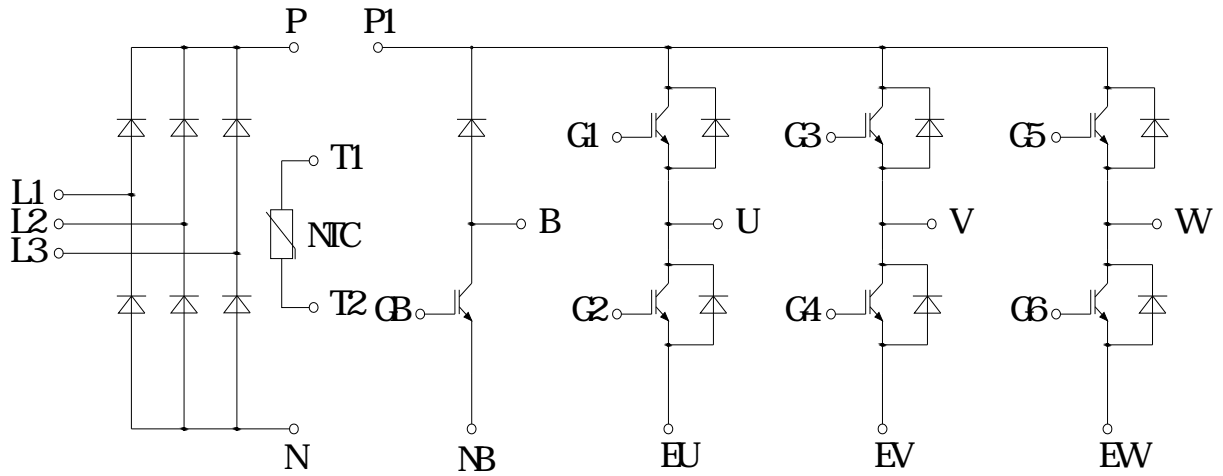




**O I 37R34R4**



## Circuit Diagram



## Package Dimensions

