

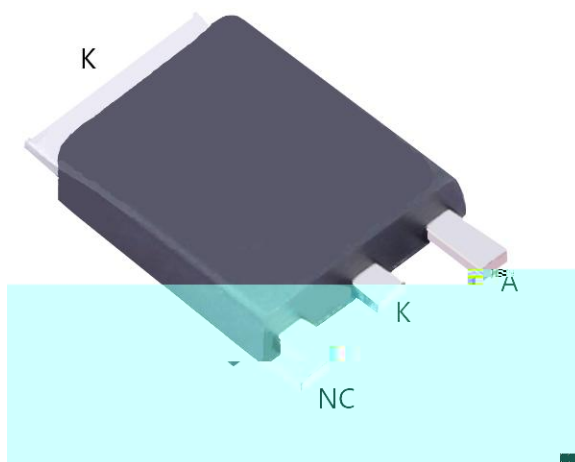
A

● B  
●  
●

●  
●  
●  
●  
●  
●  
●  
●  
●  
●

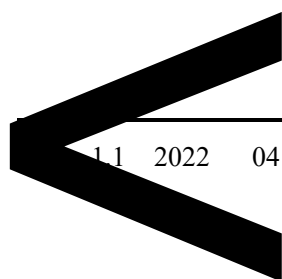
CC C

C



	C	
	A	

DK V R SL	- VAC	V, . A

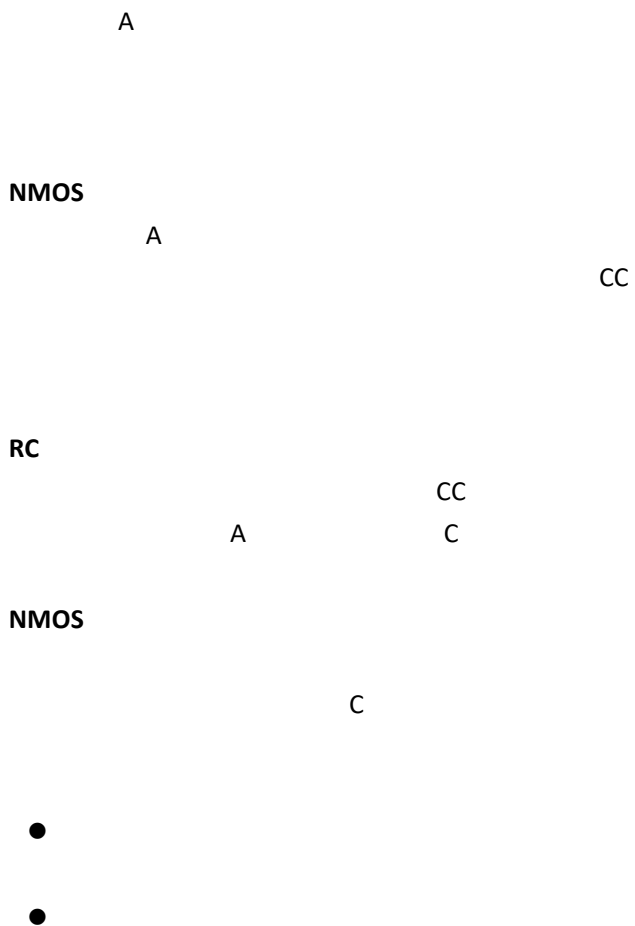


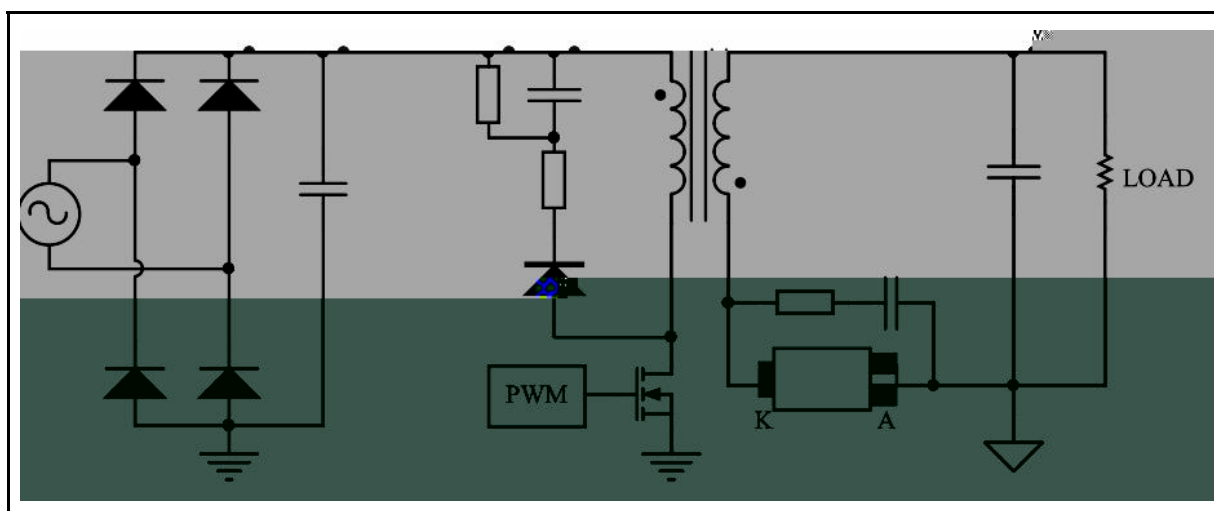
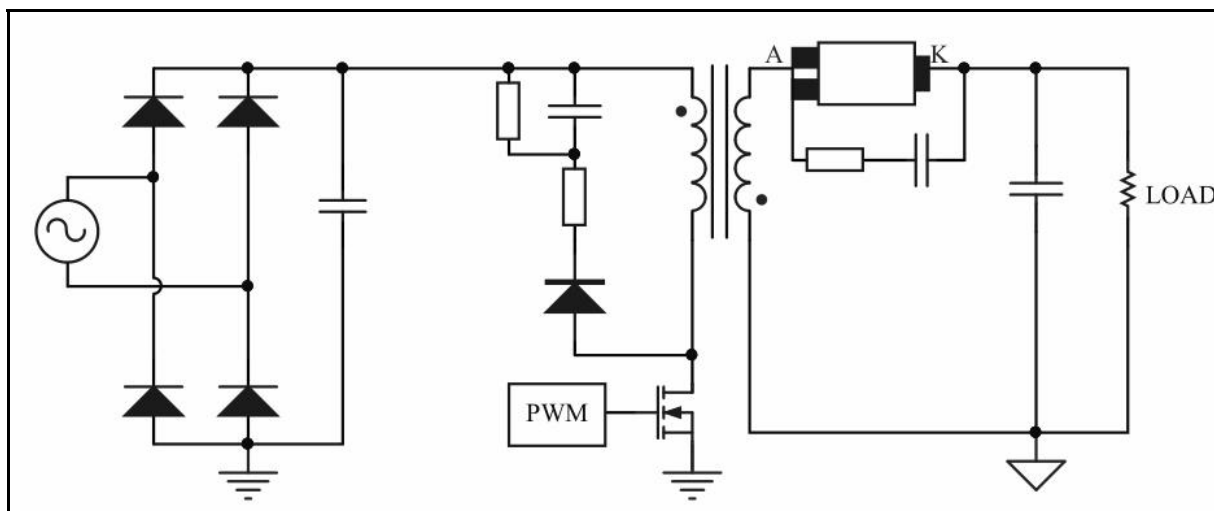
	B				
	C C				A
	C				A
	A				
	A				
	C				
B			±		
			±		

A

	CC					
	CC					
<b>&amp;</b>						
	A					
	A					
<b>NMOS</b>						

A









- 
- 
- 
- 
- 
- 
- 
-