

High frequency operation  
 Low forward voltage drop  
 High purity, high temperature epoxy encapsulation for enhanced mechanical strength and moisture resistance  
 Guard ring for enhanced ruggedness and long term reliability

Photovoltaic solar cell protection schottky rectifier

GF025

Molding compound meets UL 94 V-0 flammability rating,  
 Tin plated leads, solderable per J-STD-002 and JESD 22-B102  
 As marked

( $T_a=25$  Unless otherwise specified)

Device marking code			GFMK3045P
Repetitive Peak Reverse Voltage	VRRM	V	45
Average Rectified Output Current @60Hz sine wave, R-load, $T_a=25$	I <sub>O</sub>	A	30
Surge(Non-repetitive)Forward Current @60Hz sine wave, 1 cycle, $T_j=25$	I <sub>FSM</sub>	A	350
Current Squared Time @1ms $t<8.3ms$ $T_j=25$ , Rating of per diode	I <sup>2</sup> t	A <sup>2</sup> S	505
Storage Temperature	T <sub>stg</sub>		-55 ~+150
Junction Temperature IN DC Forward Mode-Forward Operations without reverse bias, t 1 h (Fig. 1) 1	T <sub>j</sub>		-55 ~+200

(1) Meets the requirements of IEC 61215 Ed. 2 bypass diode thermal test.

( $T_a=25$  Unless otherwise specified)

Maximum instantaneous forward voltage drop per diode	V <sub>F</sub>	V	I <sub>FM</sub> =30A	0.55
Maximum DC reverse current at rated DC blocking voltage per diode	I <sub>RRM</sub>	μA	V <sub>RM</sub> =VRRM	200

( $T_a=25$  Unless otherwise specified)

Thermal Resistance 1	R <sub>J-C</sub>	/W		1.5
----------------------	------------------	----	--	-----

(1) Thermal resistance from Between junction and case, On glass-epoxi substrate.



(Example)

GFMK3045P	Approximate 4.0	30	600	2400	Tube

(Typical)

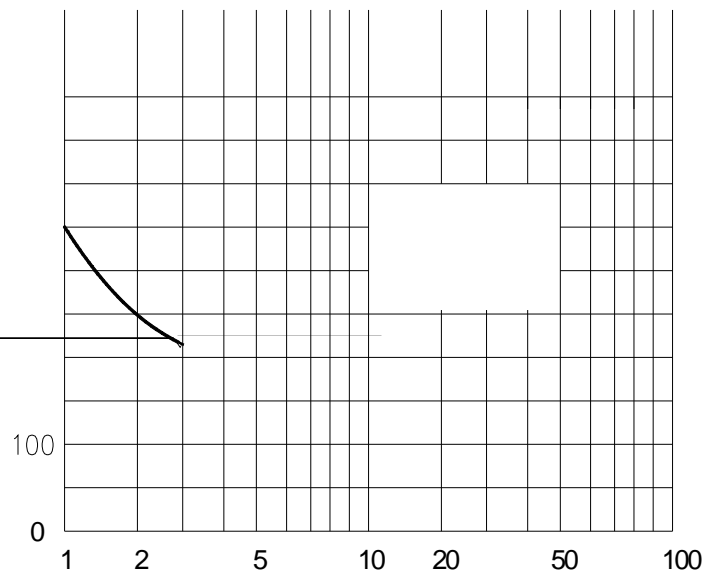
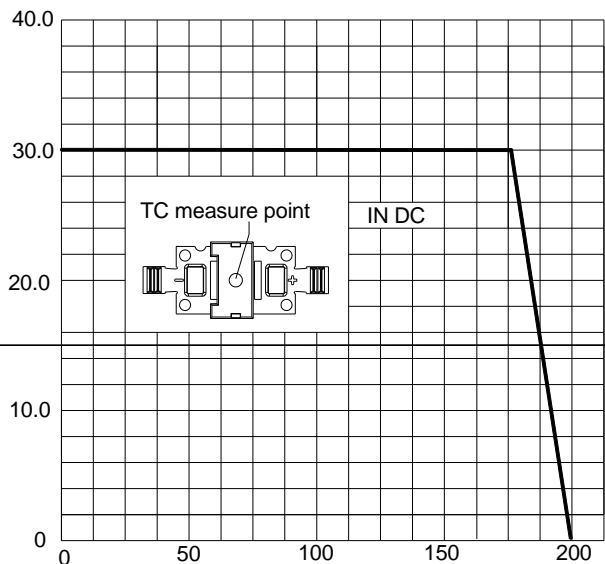


FIG3: Instantaneous Forward Voltage

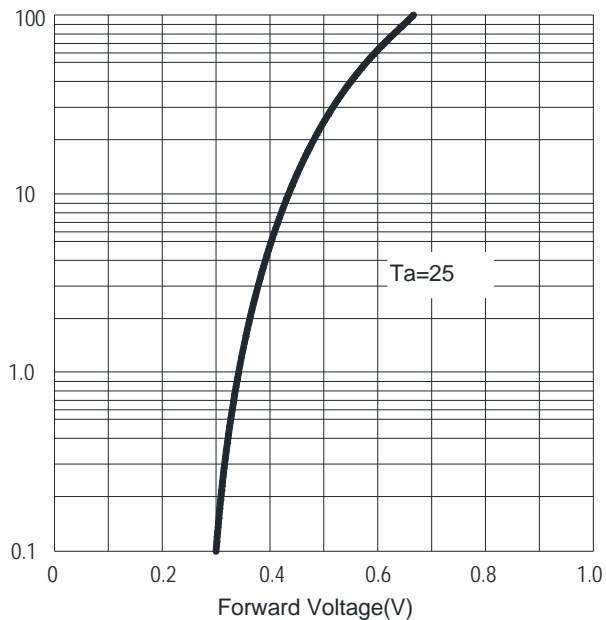
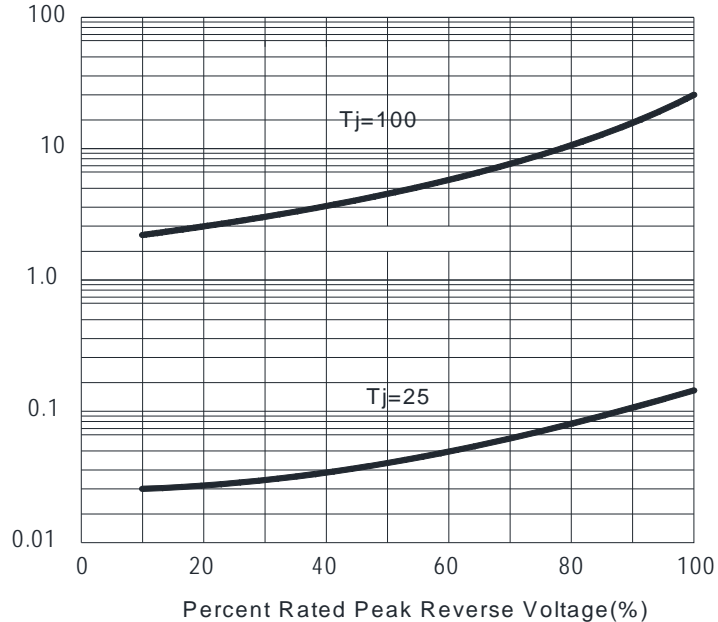
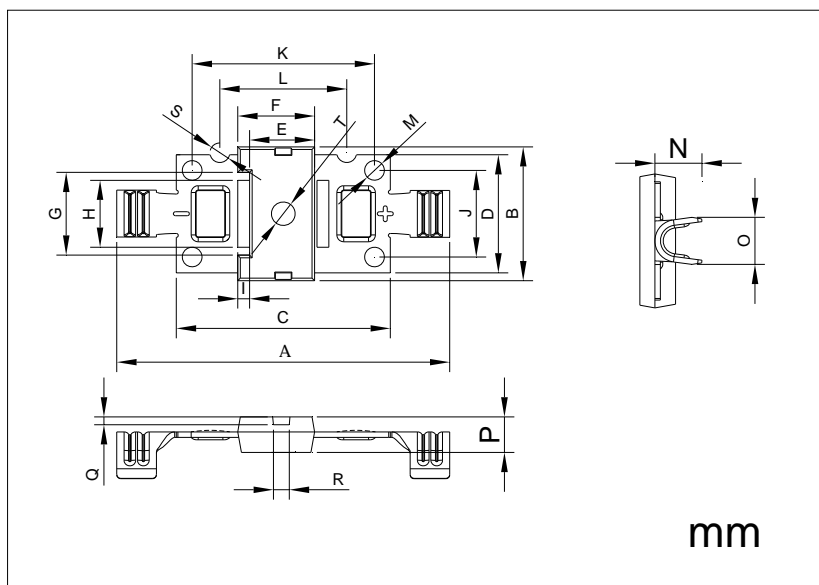


FIG4: Instantaneous Reverse Characteristics



(in millimeters)



DIM	MM		NOTE
	MIN	MAX	
A	41.5	42.5	
B	16.5	17.5	
C	26.5	27.5	
D	14.5	15.5	
E	7.9	8.5	
F	9.4	10	
G	10.50REF		
H	8.2	8.8	
I	1.2	1.8	
J	10.7	11.3	
K	22.7	23.3	
L	15.7	16.3	
M	2.	2.	
N	5.65	6.25	
O	5.72	6.22	
P	4.4	4.6	
Q	0.7	1.3	
R	1.7	2.3	
S	2.	2.	
T	2.	3.	



---

The information presented in this document is for reference only. Yangzhou Yangjie Electronic Technology Co., Ltd. reserves the right to make changes without notice for the specification of the products displayed herein to improve reliability, function or design or otherwise.

The product listed herein is designed to be used with ordinary electronic equipment or devices, and not designed to be used with equipment or devices which require high level of reliability and the malfunction of which would directly endanger human life (such as medical instruments, transportation equipment, aerospace machinery, nuclear-reactor controllers, fuel controllers and other safety devices), Yangjie or anyone on its behalf, assumes no responsibility or liability for any damages resulting from such improper use of sale.

This publication supersedes & replaces all information previously supplied. For additional information, please visit our website [http:// www.frxelec.com](http://www.frxelec.com) , or consult your nearest Yangjie's sales office for further assistance.