

I 89 L 5

87	8					

tt

I 89

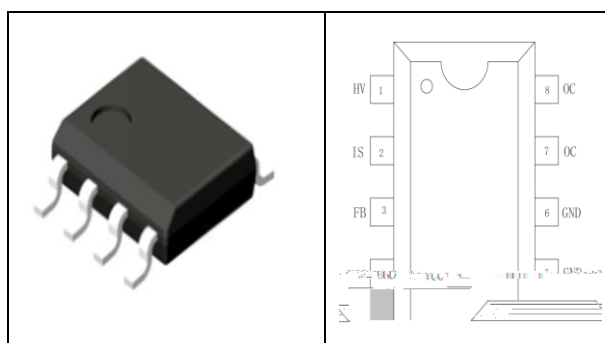
477

L

- 52 932
- 477
- 
- 
- 

- 
- 9 2
- 
- 11

- 
- 
- 



8		9 9 4 5 L
9		
0		
1		87t 14t
4 5	L	

		7 0		5	
			877		
		7 0		7 0	
		7 0		407	
	I			477	
	PLP		377		
	P	92		892	
	P <sub>p</sub>	22		827	
			957 2		

P 92

I 89

5 89

9

L

L P

$$V_{out} \approx \frac{V_{OR} * R_2}{N} - V_{DS(on)}$$

$$P_{o\ max} \approx \frac{1}{4} * I_{p\ max} * N * V_{out}$$

$$f_s\ max = \frac{N * V_{out}}{2 * L_p * I_{p\ max}}$$

32

$$L_p \geq \frac{N * V_{out}}{2 * f_s\ max * I_{p\ max}}$$

2 7

8

09

89

923ti

7 4

9ti

9 2

9 2

L

8 9

3 2

$$f_s \max = \frac{N * V_{out} \dots}{2 * L_p}$$

3 2

3 2

1 7 7

3 3 7

1 4

3 9

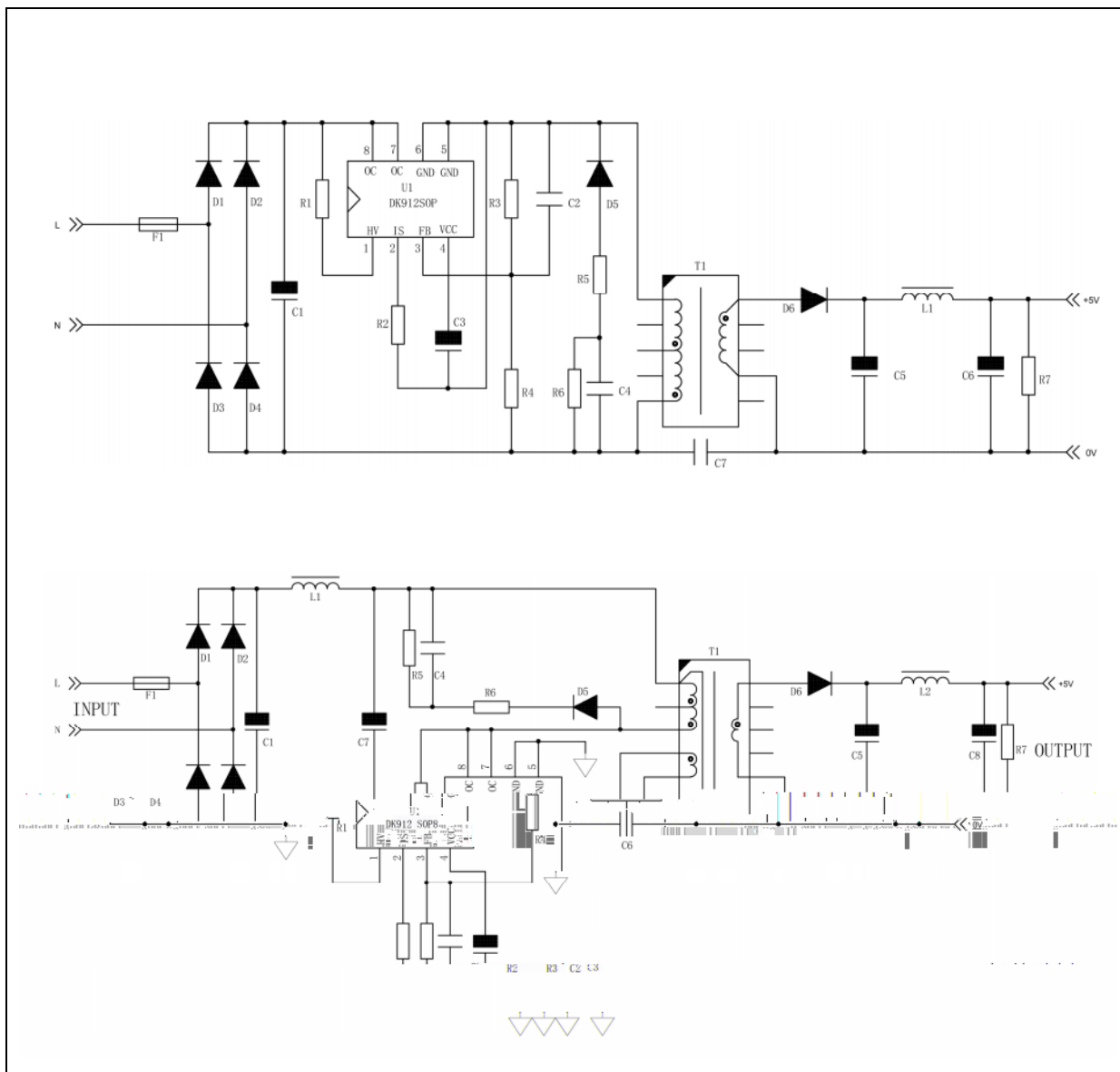
0 4

3 7 7

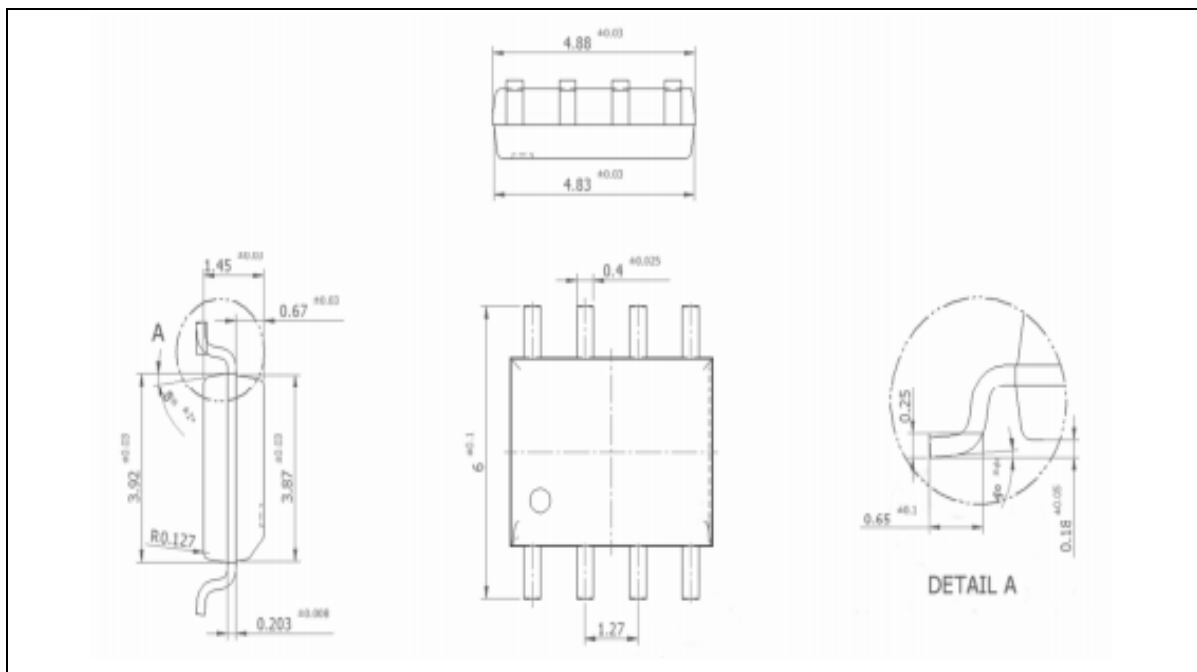
8 0

5

8 0 7



1.



2.

