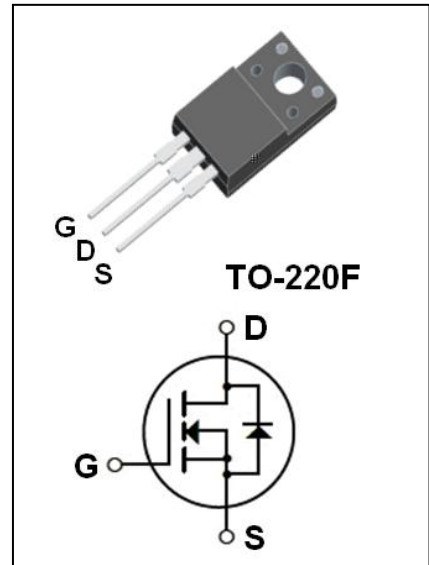


**Features:**

**Application:**



**Absolute Maximum Ratings**

	°		
		±	
	° )		
			°
			°
			°

\*

**Thermal Characteristics**

			°
			°

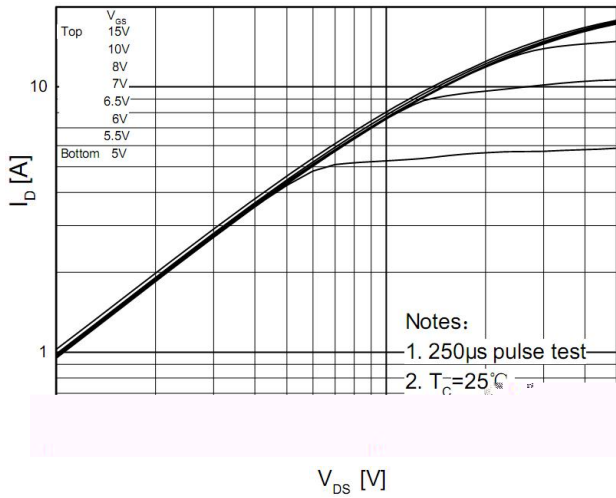
**Electrical Characteristics** ○

<b>Off Characteristics</b>						
△ △		○				○
		○				
<b>On Characteristics</b>						
<b>Dynamic Characteristics</b>						
<b>Switching Characteristics</b>						
<b>Drain-Source Diode Characteristics and Maximum Ratings</b>						

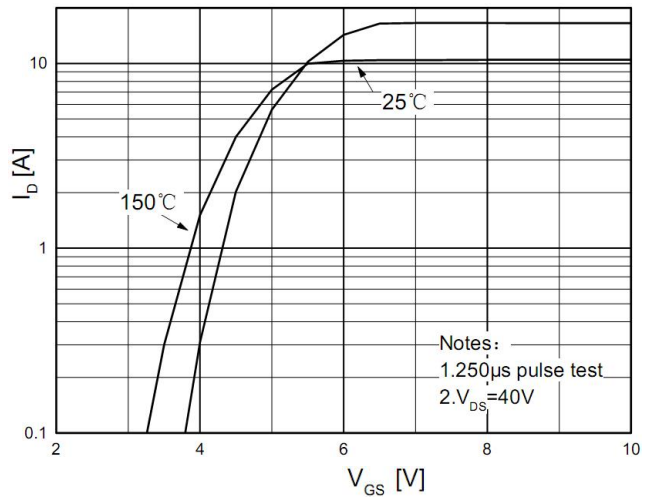
、  
、  
、  
、  
、  
、

○ ○  
○

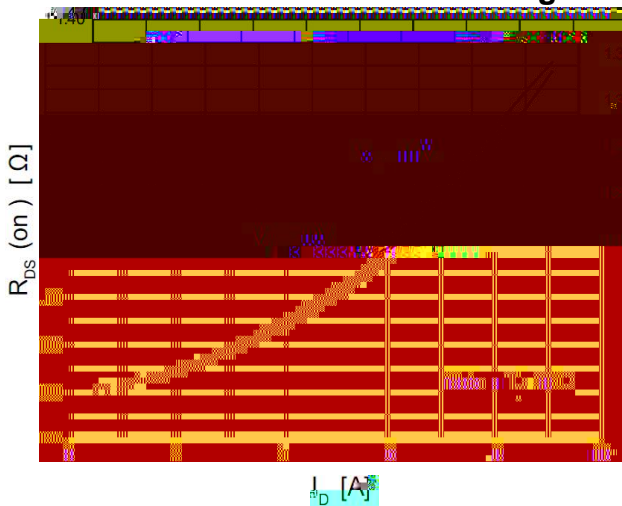
**On-Regin Characteristics**



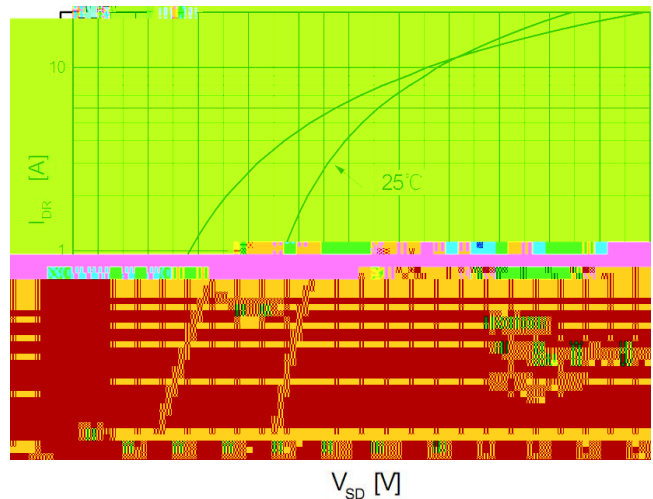
**Transfer Characteristics**



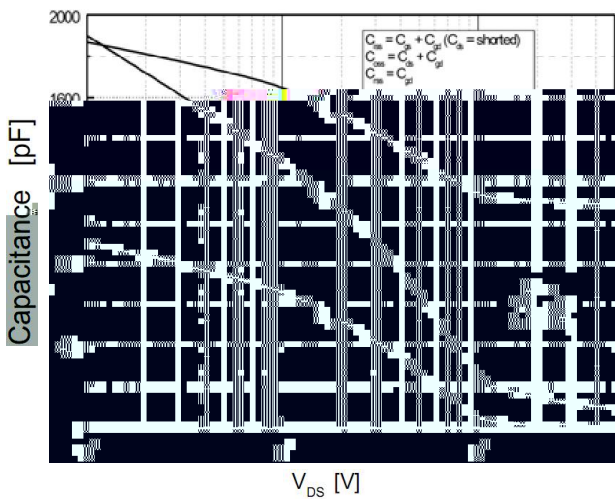
**On-Resistance Variation vs. Drain Current and Gate Voltage**



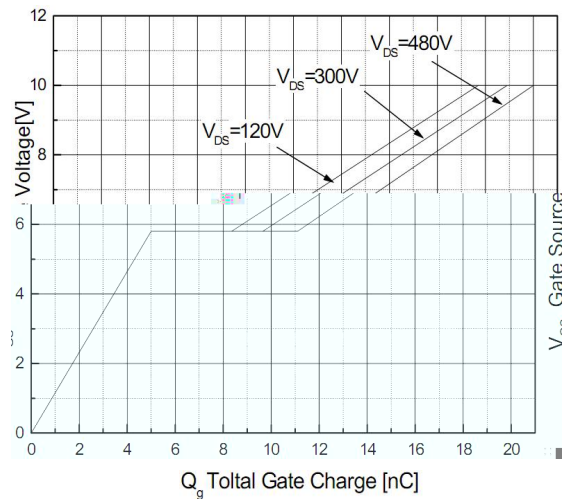
**Body Diode Forward Voltage Variation vs. Source Current and Temperature**



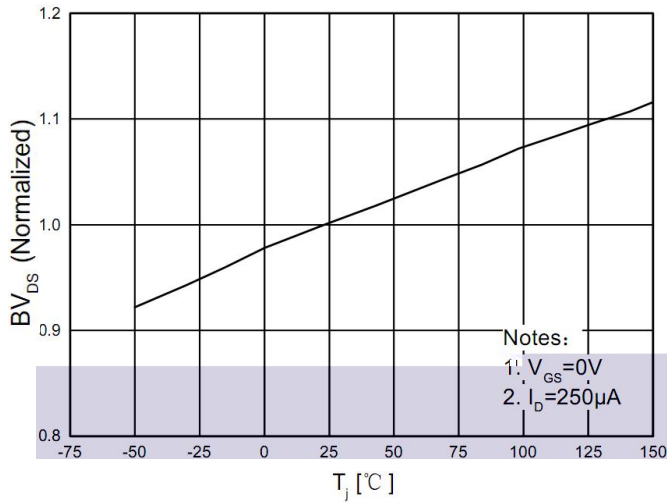
**Capacitance Characteristics**



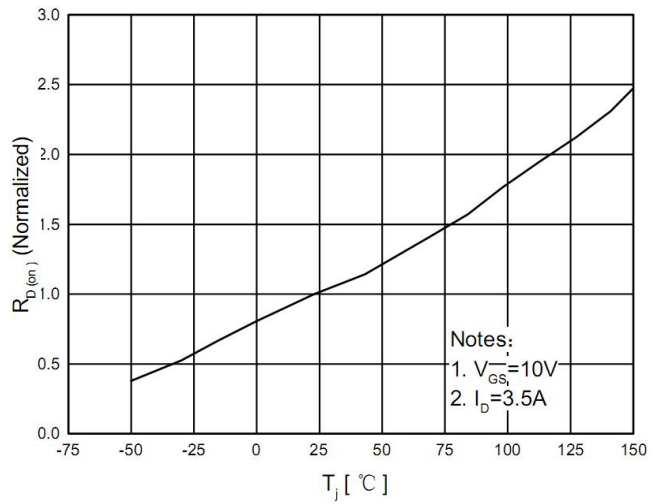
**Gate Charge Characteristics**



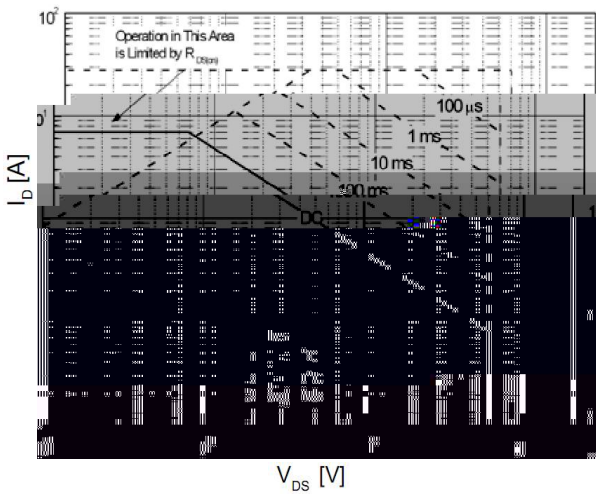
**Breakdown Voltage Variation vs. Temperature**



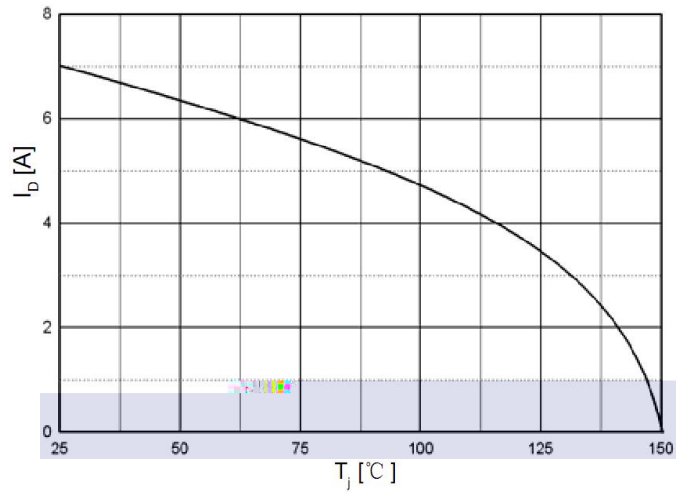
**On-Resistance Variation vs. Temperature**



**Maximum Safe Operating Area**



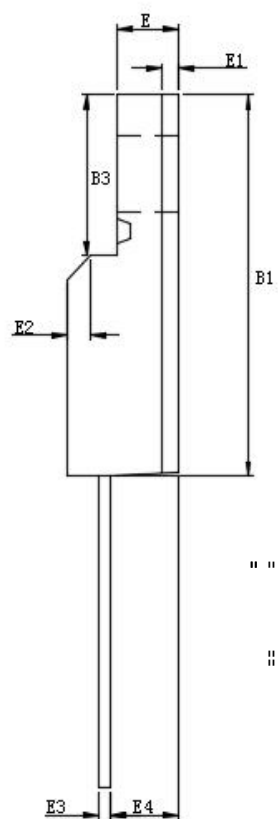
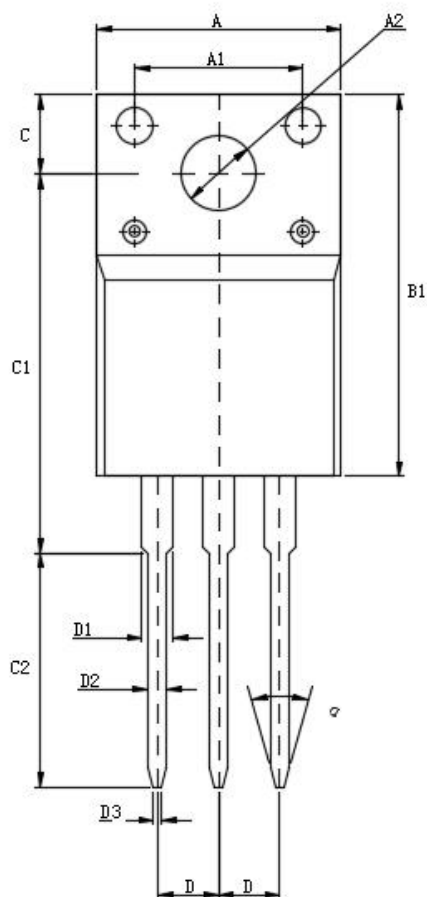
**Maximum Drain Current Vs. Case Temperature**



## TO-220F Package Dimensions

:

			x °
			°



.. )  
 .. )))))))

